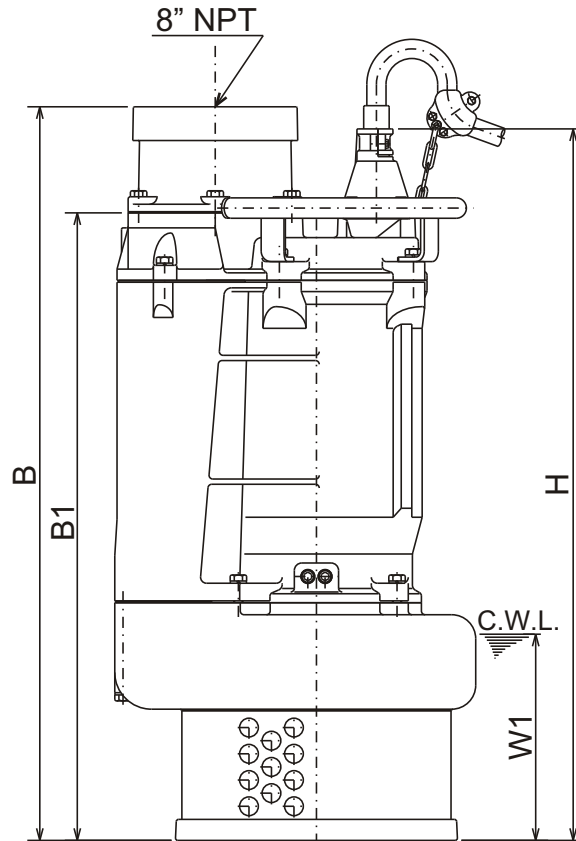
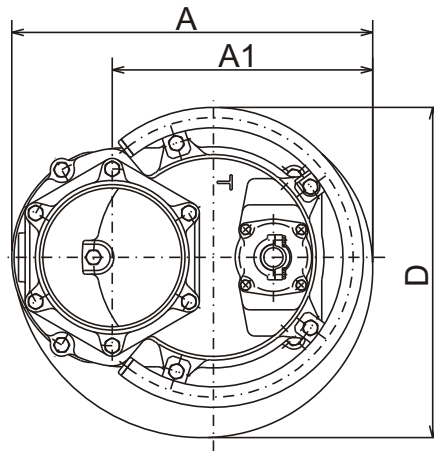




**KRS - SERIES**  
HIGH VOLUME - DEWATERING PUMPS

**DIMENSIONS**

**KRS815-61**



C.W.L. : Continuous running Water Level

**DIMENSIONS:USCS (Inch)**

Model	HP	NOM. SIZE	Pump & Motor						C.W.L. W1	*Wt. (lbs.)
			A	A1	B	B1	D	H		
KRS815-61	20	8"	18 15/16	13 11/16	38 9/16	32 15/16	17 5/16	37 3/8	10 7/8	530

**DIMENSIONS:METRIC (mm)**

Model	kW	NOM. SIZE	Pump & Motor						C.W.L. W1	*Wt. (kg)
			A	A1	B	B1	D	H		
KRS815-61	15	200	481	347	979	837	440	949	275	240

\*Excluding Cable